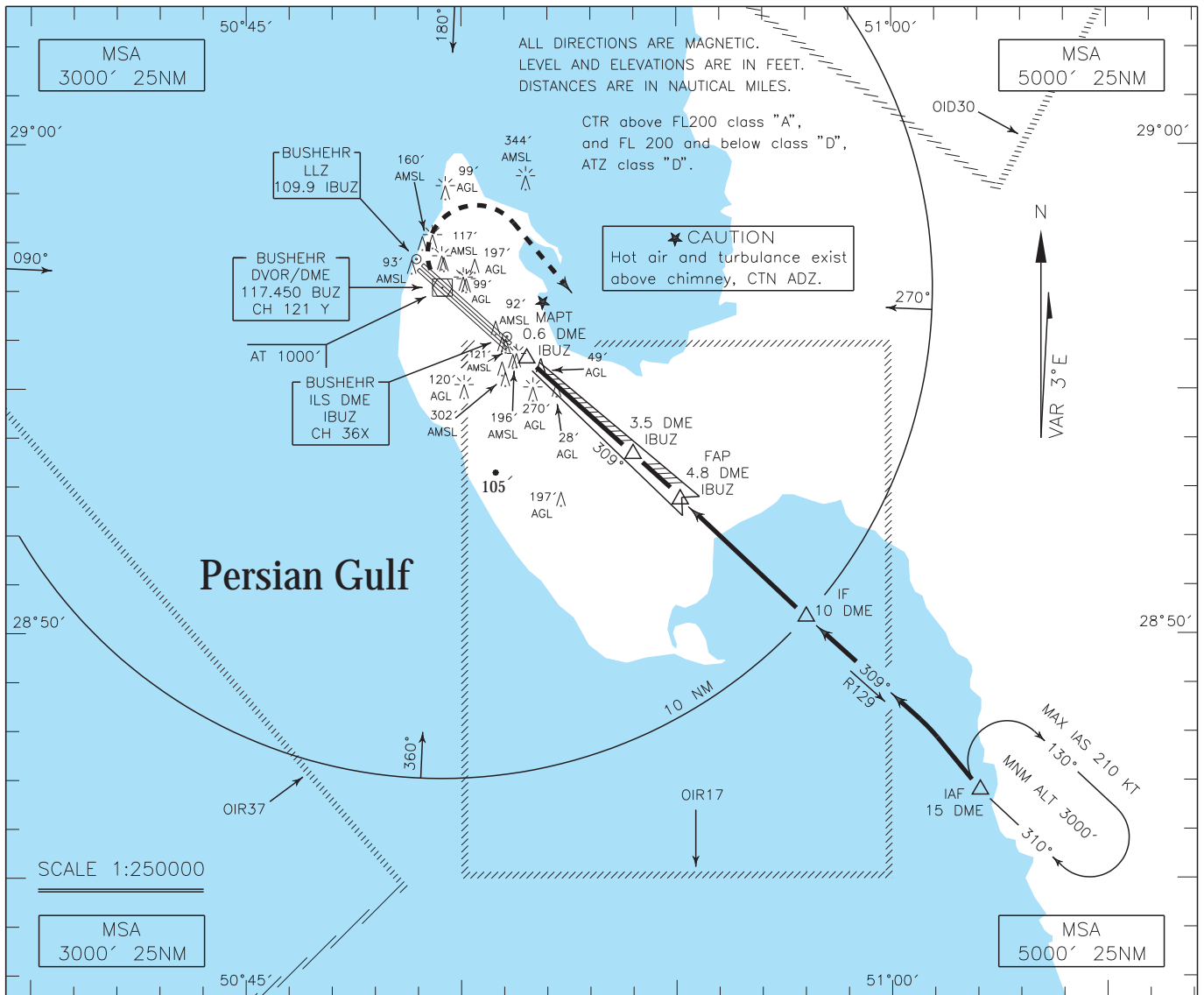


INSTRUMENT  
APPROACH  
CHART-ICAO

AERODROME ELEV. 72 FT  
HEIGHTS RELATED TO  
THR RWY 31R ELEV. 66 FT

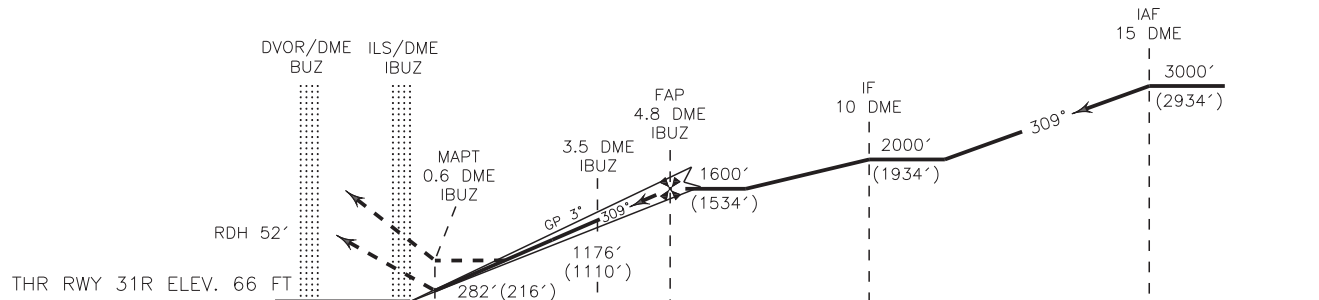
APP 119.700  
TWR 122.500, 121.900  
ATIS 126.200

BUSHEHR  
ILS RWY 31R  
CAT A/B/C/D



MISSED APPROACH: At 0.6 DME IBUZ climb straight ahead to 1000 FT, then turn right to rejoin HLDG at 3000 FT.

TA 5000'



5 4 3 2 1 0 5 10 NM FM THR RWY 31R

OCA(H)	A	B	C	D
Straight	282' (216')			
GP INOP	630' (558')			
Circling	630' (558')	730' (658')	750' (678')	