

ARP 33°35'08" N
046°24'18" E

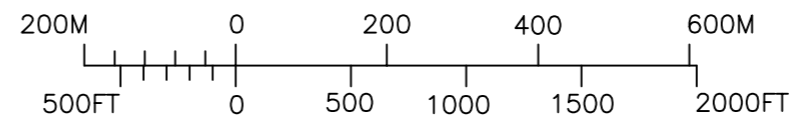
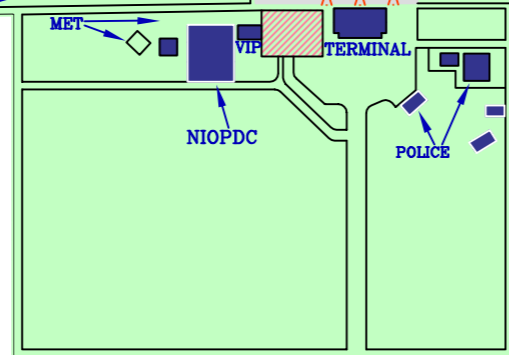
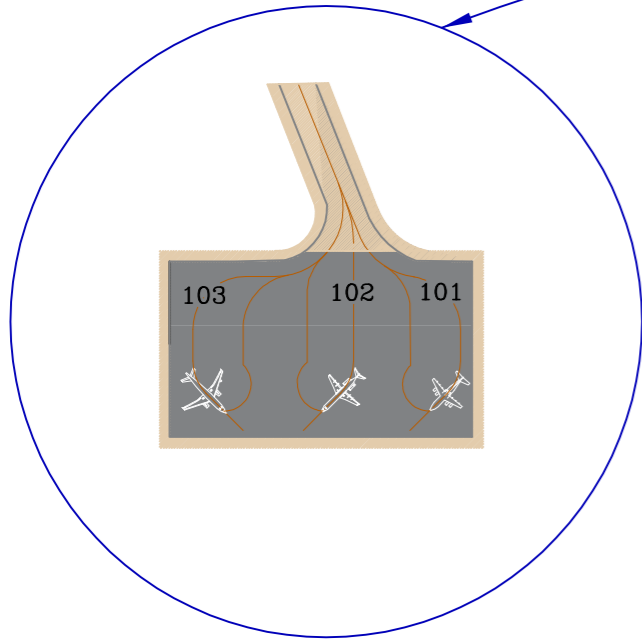
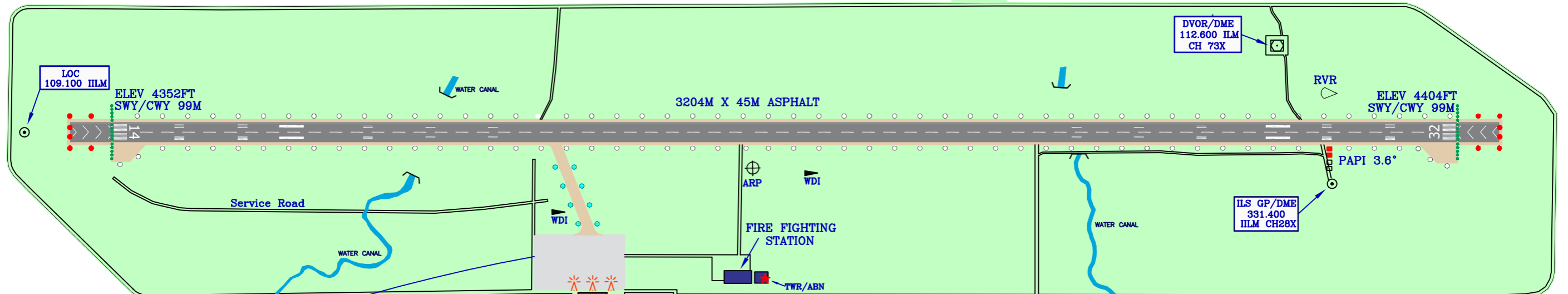
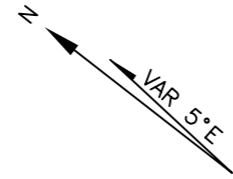
AD ELEV 4404 FT

AFIS 118.800
121.600

RWY	Direction (TRUE)	THR	ELEV	Bearing Strength	GUND
14	142.01°	333548.82N 0462342.60E	4352FT	58/F/C/X/T Asphalt	+8FT
32	322.02°	333426.86N 0462459.07E	4404FT	58/F/C/X/T Asphalt	+8FT

AD Reference Code : 4D

TWY width is 23 M, Asphalt, PCN: 30/F/C/X/T
Apron Surface: Asphalt, PCN 40 F/C/X/T
Apron dimension: 215M x 130M



Scale 1:10000

INTENTIONALLY LEFT BLANK